

FAAC 450 MPS

FUSES

	115V	230V	Description
F1	10A	5A	Main fuse
F2	800mA	800mA	30vdc output
F3	1.6A	1.6A	Electric lock
F4	250mA	250mA	Microprocessor

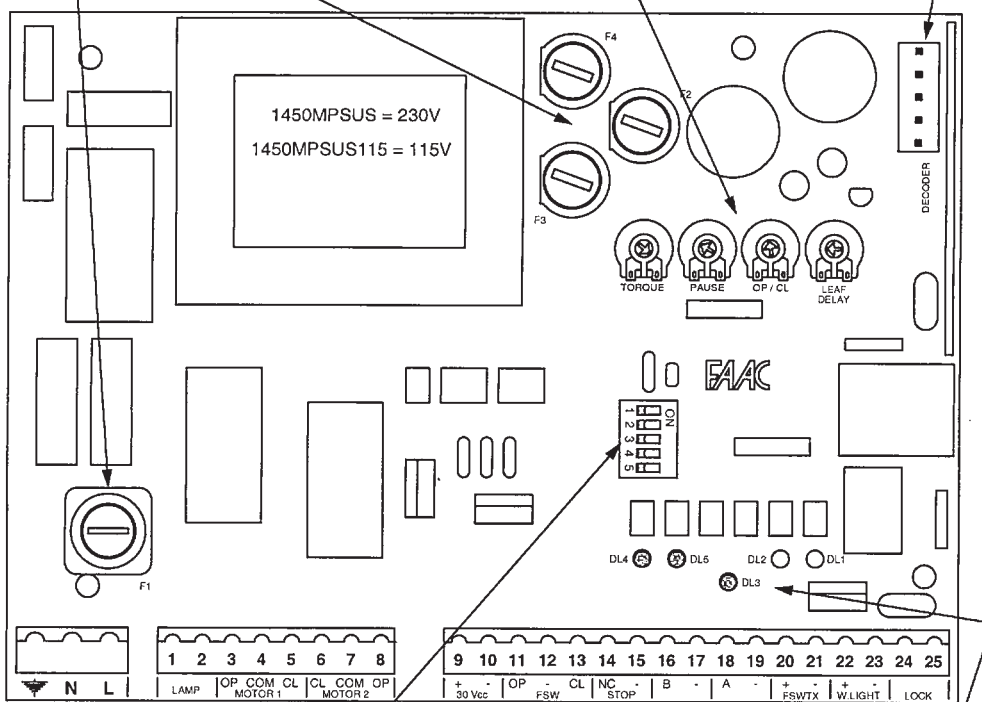
POTENTIOMETERS

TORQUE	Adjusts the force for the 412 (screwdrive) operator/ Must be set to the max setting when using hydraulic operators.
PAUSE	Sets the time between opening and closing in A and S mode. Adjustable from 0 to 240 seconds.
OP / CL	Sets the motor run time for opening and closing. Adjustable from 0 to 60 seconds.
LEAF DELAY	Sets the delay time for Motor 1 when closing. Adjustable from 0 to 28 seconds.

DECODER

The FAAC Radio receiver plugs in here. The components from the receiver face the components on the 450 MPS.

Clockwise increases time/ torque, counterclockwise decreases time/ torque



D.I.P. SWITCHES

Logic	1	2	3	4	
A	on	off	on	on	Gate stops when closing reversing device is triggered, then re-opens when it is cleared.
S	on	off	off		
E	off	on	off	off	Gate re-opens when closing reversing device is triggered.
EP	on	on	off		
B	on	on	on		
C	off	off	on		

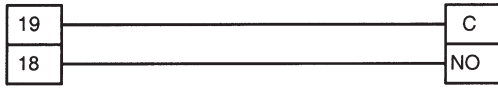
DIP switch 5 is for the reversing stroke feature (on = on, off = off)

L.E.D.s

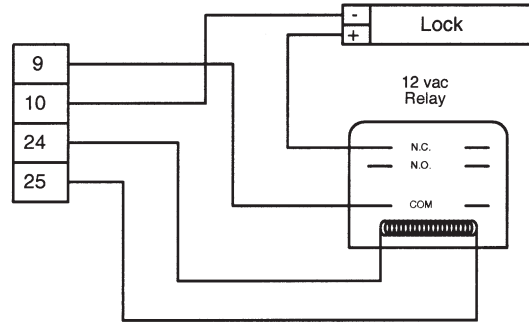
DL1	Should be off unless an open device is triggered
DL2	Should be off unless the following devices are triggered ("A" mode: Open 1 leaf, "B" mode: Close)
DL3	Should be on unless stop device is triggered
DL4	Should be on unless opening reversing device is triggered
DL5	Should be on unless closing reversing device is triggered

NOTE: This is how the leds should be fit during normal operation.

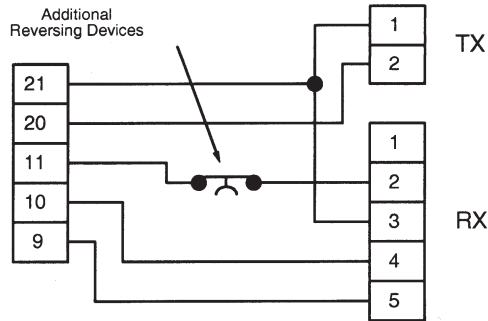
Free Exit Loop/ Phone/ Firebox
(Hold Open Devices)



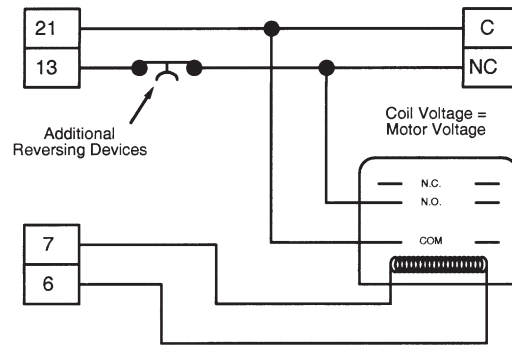
Magnetic Lock



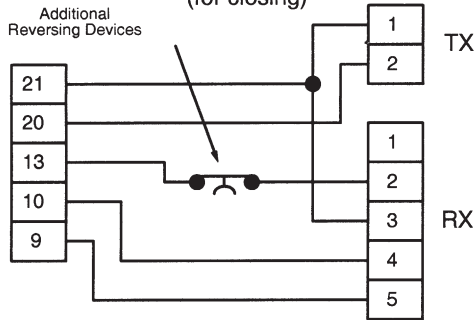
FAAC
Reversing Photocells
(for opening)



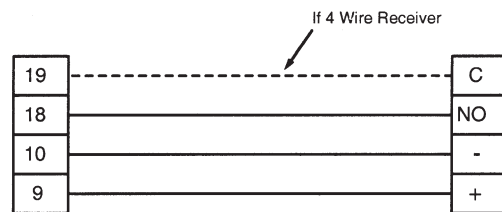
Shadow Loop



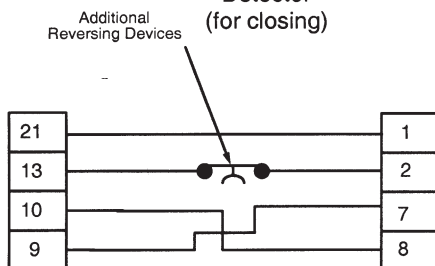
FAAC
Reversing Photocells
(for closing)



3 & 4 Wire Radio Receivers



FAAC
Safety Loop
Detector
(for closing)



Safety Series
Wiring

