

## Model 620

## Barrier Gate Operators



- Designed for moderate to heavy traffic applications
- Two year limited warranty (see back cover)

To guarantee the safety and efficiency of its equipment, FAAC strongly recommends that qualified personnel test the safety system on an annual basis, as well as maintain the overall hydraulic or mechanical system.

# Model 620

# Model 620 | Barrier Gate Operators

UL  
325

The U.L. Listed Model 620 barrier gates are designed for moderate to heavy duty applications.

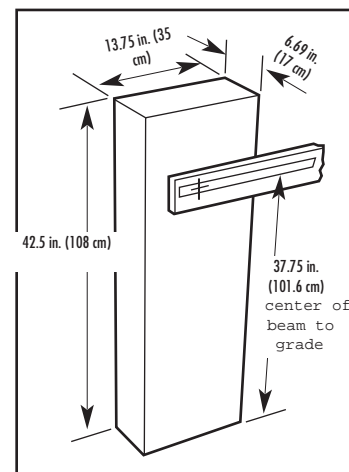
The 620 is shipped with the Model 624 MPS control panel and has the following features:

- . Continuous duty operation
- . Adjustable hydraulic pressures
- . 4 different operating logics
- . Pre-assembled counterbalanced system
- . Automated fan cooling on all models
- . Pause time selections
- . Selectable warning light logic
- . Quiet operation
- . Fast opening time (2 sec. for 8.5 ft. beam)

Note: An optional (recommended) foundation plate, emergency bypass solenoid, barrier beams, and other accessories are sold separately (see pages 88-93). For information on articulated or skirted beam kits, see page 93.



FAAC Model 620 barrier gate operator



## Please Note:

When ordering, you need to specify the length and type of beam you plan to install so that we can ship the correct counterbalancing spring. Information on Model 620 wooden and aluminum beams can be found on page 81 of this Section.

An optional (recommended) foundation plate is available (see page 106).

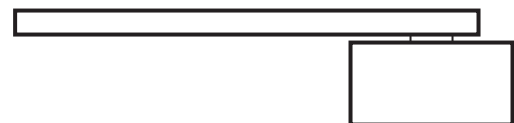
## Model 624 BLD Control Panel Operating Logics

- E = Garage door-like logic: signal to open, signal to close  
 As = Automatic logic: one signal opens the gate and closes it after a timed pause
- . "A" logic can be set to function as an anti-tailgating logic
  - . With "pre-flashing" selected by the dip switches, the control panel acts typically like other FAAC panels
  - . Without "pre-flashing" selected, the control panel functions more like the "S" logic on other FAAC panels
- P = For parking applications requiring separate open and close controls; useful in retrofitting parking barrier gate applications  
 R = Master/Slave

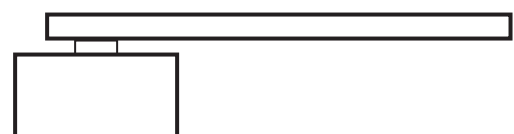
The slave and relay card functions are now built in to the 624 BLD panel, alleviating the need for the cards altogether.

Plug in detectors available; DP2, (p/n 785599) with 2-channel capability, meaning only one detector is needed to handle both free exit and safety

## Left-hand installation, top view



## Right-hand installation, top view



You must know the orientation of your barrier when ordering a Model 620.

\* Measurements and weights stated in this Price List are approximate. For exact specifications, please refer to the Installation Manual or contact our technical department at 1-800-221-8278.

# Model 620 | Barrier Gate Operators

## Model 620 Express

- . 100% duty cycle
- . includes Model 624 BLD control panel
- . automatic cooling fan
- . beam must be ordered separately (see page 109)
- . articulated beam kit available (see page 111)

### FYI

Beams, because of their size, must be shipped by truck. Freight charges for shipping can be as much or more than the cost of the beam. Please request a freight quote from FAAC to determine total costs.

Orientation	Voltage	Orange cabinet		White cabinet		Beam Length - Wood	Beam Length - Aluminum
		Number	Price	Number	Price		
Left Hand Right Hand	230VAC 230VAC	10463282 10465282	\$3,487 \$3,487	10463283 10465283	\$3,487 \$3,487	6.5-10 ft (2-3 m) 6.5-10 ft (2-3 m)	6.5 ft (2 m) 6.5 ft (2 m)
Left Hand Right Hand	230VAC 230VAC	10463382 10465382	\$3,487 \$3,487	10463383 10465383	\$3,487 \$3,487	11-12 ft (3.4-3.7 m) 11-12 ft (3.4-3.7 m)	8.5 ft (2.6 m) 8.5 ft (2.6 m)
Left Hand Right Hand	230VAC 230VAC	10463482 10465482	\$3,487 \$3,487	10463483 10465483	\$3,487 \$3,487	NA NA	9.75 ft (3 m) 9.75 ft (3 m)
Left Hand Right Hand	230VAC 230VAC	10463582 10465582	\$3,487 \$3,487	10463583 10465583	\$3,487 \$3,487	NA NA	13 ft (3.9 m) 13 ft (3.9 m)

Speed to Clear 90°	Maximum Duty Cycle	Pump Size (liters)	Motor RPM	Actual Pump Output (liters)	Shipping Weight
2.0 sec	100%	1.0	2800	2.0	170 lb (77.1 kg)
2.0 sec	100%	1.0	2800	2.0	170 lb (77.1 kg)

### Control Panel (replacement)

Description	Part No.	Price
624 MPS 230 VAC 8uf	202214401	\$ 706
624 BLD 230 VAC	63000395	\$ 706
622 BLD 115V	2022712	\$ 706

## Model 620 115 Volt

While all configurations do not currently have part numbers assigned yet, all can be converted from existing part numbers. Simply order the part number shown, if beam size and left/right configuration are correct. Otherwise, order the 620 or 640 with desired beam length and designate left or right, and we will convert to a specific orientation.

### Plug-In Loop Detector

Description	PIN	Price
DP2 2Channel	785599	\$385

Orientation	Voltage	Orange cabinet		White cabinet		Beam Length - Wood	Beam Length - Aluminum
		Part Number	Price	Part Number	Price		
Left Hand Right Hand	115VAC 115VAC	104634821 104654821	\$3,487 \$3,487	N/A* N/A*	\$3,487 \$3,487	N/A* N/A*	9.75 ft (3 m) 9.75 ft (3 m)
Left Hand Right Hand	115VAC 115VAC	104635821 104655821	\$3,487 \$3,487	N/A* 104654831	\$3,487 \$3,487	N/A* N/A*	13 ft (3.9 m) 13 ft (3.9 m)

Speed to Clear 90°	Maximum Duty Cycle	Pump Size (liters)	Motor RPM	Actual Pump Output (liters)	Shipping Weight
2.0 sec	100%	1.0	2800	2.0	170 lb (77.1 kg)
2.0 sec	100%	1.0	2800	2.0	170 lb (77.1 kg)

### Control Panel (replacement)

Description	Part Number	Price
624 MPS 115 VAC	20221465	\$ 706
624 BLD 115 VAC	2022712	\$ 706

N/A\* part number has not been provided. Call FAAC for details. Left/right configuration can be changed White barrier springs can be changed to accommodate the 10 ft. model

Visit us online at

[www.faacusa.com](http://www.faacusa.com)

## Model 640

## Barrier Gate Operators



- Designed for high traffic applications
- Two year limited warranty (see back cover)

To guarantee the safety and efficiency of its equipment, FAAC strongly recommends that qualified personnel test the safety system on an annual basis, as well as maintain the overall hydraulic or mechanical system.

# Model 640

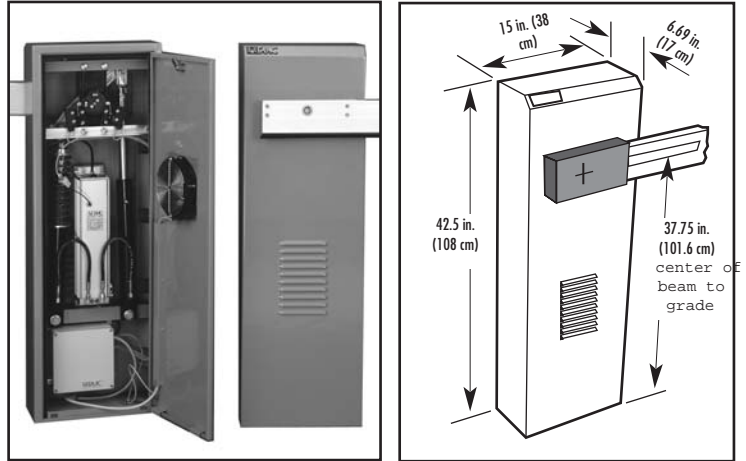
# Model 640 | Barrier Gate Operators

UL  
325

The U.L. Listed Model 640 barrier gates are designed for high traffic situations where longer beams are needed.

The 640 is shipped with the Model 624 BLD control panel and has the following features:

- . Continuous duty operation
- . Adjustable hydraulic pressures to control swing
- . 4 different operating logics
- . Pre-assembled counterbalanced system
- . Automated fan cooling on all models
- . Pause time selections
- . Selectable warning light logic
- . Quiet operation



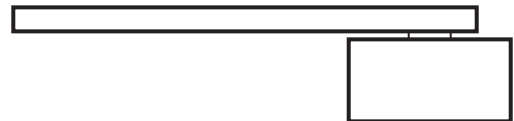
FAAC Model 640 barrier gate operator

Note: An optional (recommended) foundation plate, emergency bypass solenoid, barrier beams, and other accessories are sold separately (see pages 88-93). For information on articulated or skirted beam kits, see page 93.

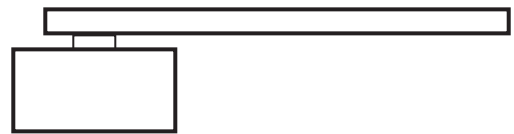
## Model 624 BLD Control Panel Operating Logics

- E = Garage door-like logic: signal to open, signal to close  
As = Automatic logic: one signal opens the gate and closes it after a timed pause
- . "A" logic can be set to function as an anti-tailgating logic
  - . With "pre-flashing" selected by the dip switches, the control panel acts typically like other FAAC panels
  - . Without "pre-flashing" selected, the control panel functions more like the "S" logic on other FAAC panels
- P = For parking applications requiring separate open and close controls; useful in retrofitting parking barrier gate applications  
R = Master slave

## Left-hand installation, top view



## Right-hand installation, top view



You must know the orientation of your barrier when ordering a Model 640.

The slave and relay card functions are now built in to the 624 BLD panel, alleviating the need for the cards altogether.

Plug in detectors available; DP2, (p/n 785599) with 2-channel capability, meaning only one detector is needed to handle both free exit and safety

### Please Note:

When ordering, you need to specify the length and type of beam you plan to install so that we can ship the correct counterbalancing spring. Information on Model 640 wooden and aluminum beams can be found on page 85 of this Section.

An optional (recommended) foundation plate is available (see page 106).

\* Measurements and weights stated in this Price List are approximate. For exact specifications, please refer to the Installation Manual or contact our technical department at 1-800-221-8278.

# Model 640 | Barrier Gate Operators

UL  
325

## Model 640 CD

- . 100% duty cycle
- . includes Model 624 BLD control panel
- . automatic cooling fan
- . beam must be ordered separately (see page 110)
- . skirt beam kit available (see page 111)

### FYI

Beams, because of their size, must be shipped by truck. Freight charges for shipping can be as much or more than the cost of the beam. Please request a freight quote from FAAC to determine total costs.

	Voltage	Orange cabinet		White cabinet		Beam Length	Spring Number	Beam Length Aluminum	Speed to Clear 90°	Actual Pump Size (liters)	Pump Motor RPM	Output (liters)	Max. Duty Cycle	Weight Shipping
		Part Number	Price	Part Number	Price									
Left Hand Right Hand	230VAC 230VAC	10468282 10466082	\$3,836 \$3,836	10468283 10466083	\$3,836 \$3,836	16 ft (4.9 m) 16 ft (4.9 m)	7210735	13 ft (3.9 m) 13 ft (3.9 m)	4.0 sec 4.0 sec	1.0 1.0	2800 2800	2.0 2.0	100% 100%	200 lb (90.7 kg.) 200 lb (90.7 kg.)
Left Hand Right Hand	230VAC 230VAC	10468382 10466182	\$3,836 \$3,836	10468383 10466183	\$3,836 \$3,836	18 ft (5.5 m) 18 ft (5.5 m)		7210745	16.5 ft (5 m) 16.5 ft (5 m)	5.5 sec 5.5 sec	1.5 1.5	1400 1400	1.5 1.5	100% 100%
Left Hand Right Hand	230VAC 230VAC	10468482 10466282	\$3,836 \$3,836	10468483 10466283	\$3,836 \$3,836	20 ft (5.5 m) 20 ft (5.5 m)	7210755		20 ft (6 m) 20 ft (6 m)	8 sec 8 sec	1.0 1.0	1400 1400	1.0 1.0	100% 100%
Left Hand Right Hand	230VAC 230VAC	10468582 10466382	\$3,836 \$3,836	10468583 10466383	\$3,836 \$3,836	NA NA		7210805	23 ft (7 m) 23 ft (7 m)	8 sec 8 sec	1.0 1.0	1400 1400	1.0 1.0	100% 100%

\* Measurements and weights stated in this Price List are approximate. For exact specifications, please refer to the Installation Manual or contact our technical department at 1-800-221-8278.

### Plug-In Loop Detector

Description	PIN	Price
DP2 2Channel	785599	\$385

### Control Panel (replacement)

Description	Part No.	Price
624 MPS 230 VAC 8uf	202214401	\$ 706
624 BLD 230 VAC	63000395	\$ 706
622 BLD 115V	2022712	\$ 706

## Model 640 115 Volt

While all configurations do not currently have part numbers assigned yet, all can be converted from existing part numbers. Simply order the part number shown, if beam size and left/right configuration are correct. Otherwise, order the 620 or 640 with desired beam length and designate left or right, and we will convert to a specific orientation.

Orientation	Voltage	Orange cabinet		White cabinet		Beam Length - Wood	Spring Number	Beam Length - Aluminum	Speed to Clear 90°	Actual Pump Size (liters)	Motor RPM	Output (liters)	Max. Duty Cycle	Weight Shipping
		Part Number	Price	Part Number	Price									
Left Hand Right Hand	115VAC 115VAC	104683821 N/A*	\$3,836 \$3,836	N/A* N/A*	\$3,836 \$3,836	16 - 18 ft (4.8 - 5.4 m) 16 - 18 ft (4.8 - 5.4 m)	7210735	13 ft (3.9 m) 13 ft (3.9 m)	5.5sec 5.5sec	1.5 1.5	1400 1400	1.5 1.5	1.5 1.5	200 lb (90.7 kg) 200 lb (90.7 kg)
Left Hand Right Hand	115VAC 115VAC	N/A* N/A*	\$3,836 \$3,836	N/A* N/A*	\$3,836 \$3,836	18 - 20 ft (4.8 - 6 m) 18 - 20 ft (4.8 - 6 m)		7210745	16 1/2 ft (5 m) 16 1/2 ft (5 m)	5.5 sec 5.5 sec	1.5 1.5	1400 1400	1.5 1.5	1.5 1.5
Left Hand Right Hand	115VAC 115VAC	N/A* 104662821**	\$3,836 \$3,836	N/A* N/A*	\$3,836 \$3,836	N/A N/A	7210755		20 ft (6 m) 20 ft (6 m)	8 sec 8 sec	1.0 1.0	1400 1400	1.0 1.0	1.0 1.0
Left Hand Right Hand	115VAC 115VAC	104685821 104663821**	\$3,836 \$3,836	N/A* 104663831	\$3,836 \$3,836	N/A N/A		7210805	23 ft (7 m) 23 ft (7 m)	8 sec 8 sec	1.0 1.0	1400 1400	1.0 1.0	1.0 1.0

N/A\* part number has not been provided. Call FAAC for details. Springs can be modified to accommodate all models (white & orange). Configurations can be modified on all models.

### Control Panel (replacement)

Description	Part No.	Price
624 MPS 115V	20221465	\$ 706
624 BLD 115 VAC	2022712	\$ 706

Visit us online at

[www.faacusa.com](http://www.faacusa.com)

---

# Contents | Barrier Gate Operators



**NOTE:**

The following accessories are specific to barrier operators only.

Other accessories that work with all types of FAAC operators, such as safety devices, access control systems, etc., are listed in the General Accessories Section, page 105.

To guarantee the safety and efficiency of its equipment, FAAC strongly recommends that qualified personnel test the safety system on an annual basis, as well as maintain the overall hydraulic or mechanical system.

# Barrier Accessories

# Accessories | Barrier Gate Accessories

## 1. 620 Foundation Plate

The plate measures 14 in. x 7.86 in., has 4 holes for anchoring bolts, and has a hole for electrical conduits.

SHIPPING WEIGHT	10 lb (4.5 kg)
PART NUMBER	490058
PRICE:	\$213

## 4. 620/640 Emergency Bypass Solenoid

The solenoid automatically disengages the hydraulic locking system of the barrier when the main power is not available, allowing the beam to be raised by hand. This option requires a 230VAC power supply.

SHIPPING WEIGHT	3 lb (1.4 kg)
PART NUMBER	401051
PRICE:	\$798

## 2. 615 Foundation Plate

The plate measures 12 in. x 12 in., has 4 holes for anchoring bolts, and has a hole for electrical conduits.

SHIPPING WEIGHT	9 lb (4.1 kg)
PART NUMBER	2556
PRICE:	\$62

## 5. Anti-Vandalism Valve

Protects the integrity of the hydraulic system in the event the beam is forced

SHIPPING WEIGHT	3 lb (1.4 kg)
PART NUMBER	401066
PRICE:	\$375

## 3. 640 Foundation Plate

The plate measures 15.25 in. x 9 in., has 4 holes for anchoring bolts, and has a hole for electrical conduits.

SHIPPING WEIGHT	14 lb (6.4 kg)
PART NUMBER	490059
PRICE:	\$253

### FYI

Beams, because of their size, must be shipped by truck. Freight charges for shipping can be as much or more than the cost of the beam. Please request a freight quote from FAAC to determine total costs.

\* Measurements and weights stated in this Price List are approximate. For exact specifications, please refer to the Installation Manual or contact our technical department at 1-800-221-8278.

# Accessories | Barrier Gate Accessories

## 6. 624 Slave Card

The optional slave card enables two opposing barriers to operate simultaneously.

**NOTE: Replacements for barriers with an MPS board**

SHIPPING WEIGHT	1 lb (.5kg)
PART NUMBER	790846
PRICE:	\$115

## 8. 624 Relay Card

The optional relay card provides 6 normally open electrical contacts for connecting auxiliary equipment (computer controls, revenue equipment, alarms, etc.) or monitoring the barrier's status.

**NOTE: Replacements for barriers with an MPS board**

SHIPPING WEIGHT	1 lb (.5 kg)
PART NUMBER	360013
PRICE:	\$291

## 7. 624 FSW Card

The optional FSW card enables safety devices to work when a 620/640 barrier is operating in the P (parking) mode

**NOTE: Replacements for barriers with an MPS board.**

SHIPPING WEIGHT	1 lb (.5 kg)
PART NUMBER	790847
PRICE:	\$115

## 9. Hinged Breakaway System (with sensor kit)

For use with round beams on the Model 620 barrier.

SHIPPING WEIGHT	
PART NUMBER	428163*
PRICE:	\$781

### FYI

Beams, because of their size, must be shipped by truck. Freight charges for shipping can be as much or more than the cost of the beam. Please request a freight quote from FAAC to determine total costs.

\* Measurements and weights stated in this Price List are approximate. For exact specifications, please refer to the Installation Manual or contact our technical department at 1-800-221-8278.

# Accessories | Barrier Gate Accessories

## 10. 615 Aluminum Beam Kit

These aluminum beams come with a fixing bracket and are optional for new applications. All aluminum beams measure 1 in. x 4 in. x length of beam ordered. (Length of the 615 beams must be 6 ft. thru 13 ft. only.)

6 Foot (1.8 m) Length

SHIPPING WEIGHT	10lbs
PART NUMBER	428087
PRICE:	\$266

8 Foot (2.4 m) Length

SHIPPING WEIGHT	12 lbs
PART NUMBER	428088
PRICE:	\$340

10 Foot (3 m) Length

SHIPPING WEIGHT	15 lbs
PART NUMBER	428089
PRICE:	\$380

13 Foot (4 m) Length

SHIPPING WEIGHT	19.5 lbs
PART NUMBER	428090
PRICE:	\$435

## 11. 615 Wooden Beam Kits

These beam kit numbers are to be used when ordering with a 615 barrier and include the sandwich plate. If ordered separately the cost of the sandwich plate will be added to the price.

8 Foot (2.4 m) Length

SHIPPING WEIGHT	7lbs
PART NUMBER	2146
PRICE:	\$151

10 Foot (3 m) Length

SHIPPING WEIGHT	8lbs
PART NUMBER	2038
PRICE:	\$159

### FYI

Beams, because of their size, must be shipped by truck. Freight charges for shipping can be as much or more than the cost of the beam. Please request a freight quote from FAAC to determine total costs.

### FYI

Aluminum beams ordered with a barrier will be shipped with appropriate fixing bracket; wood beams ordered with a barrier will be shipped with sandwich plate. Beams ordered separately will be assumed to be replacement beams only & will not include fixing or sandwich hardware unless requested.

\* Measurements and weights stated in this Price List are approximate. For exact specifications, please refer to the Installation Manual or contact our technical department at 1-800-221-8278.

# Accessories | Barrier Gate Accessories

## 12. 620 Aluminum Beams

All 620 rectangular aluminum beams measure 1 in. x 4 in. x the length of the beam ordered. For skirted or articulated beams order the length beam needed and the skirt kit or articulated beam kit. (See page 93 of this section)

6 Foot (1.8 m) Length    Rectangular    Round

SHIPPING WEIGHT	10 lbs	
PART NUMBER	428087	NA
PRICE	\$266	

8 Foot (2.4 m) Length    Rectangular    Round

SHIPPING WEIGHT	12 lbs	12 lbs
PART NUMBER	428088	428078
PRICE	\$340	\$340

10 Foot (3 m) Length    Rectangular    Round

SHIPPING WEIGHT	15 lbs	15 lbs
PART NUMBER	428089	428075
PRICE	\$380	\$380

13 Foot (4 m) Length    Rectangular    Round

SHIPPING WEIGHT	19.5 lbs	19.5 lbs
PART NUMBER	428090	428079
PRICE	\$435	\$ 435

## 13. 620 Wooden Beam

All 620 wood beams are made of clear redwood and measure 1 in. x 4 in. x the length of the beam ordered.

8 Foot (2.4 m) Length

SHIPPING WEIGHT	7 lbs
PART NUMBER	2146++
PRICE	\$151

10 Foot (3 m) Length

SHIPPING WEIGHT	8 lbs
PART NUMBER	2038++
PRICE:	\$159

12 Foot (3.7 m) Length

SHIPPING WEIGHT	9 lbs
PART NUMBER	2039++
PRICE:	\$179

### FYI

Aluminum beams ordered with a barrier will be shipped with appropriate fixing bracket; wood beams ordered with a barrier will be shipped with sandwich plate. Beams ordered separately will be assumed to be replacement beams only & will not include fixing or sandwich hardware unless requested.

### FYI

Beams, because of their size, must be shipped by truck. Freight charges for shipping can be as much or more than the cost of the beam. Please request a freight quote from FAAC to determine total costs.

### REPLACING OLDER BEAMS

When replacing beams on 620 barriers older than a 10/05 serial #, the fixing bracket will have to be replaced (part#:428342) and an adapter will be needed (part#:390265)

\* Measurements and weights stated in this Price List are approximate. For exact specifications, please refer to the Installation Manual or contact our technical department at 1-800-221-8278.

# Accessories | Barrier Gate Accessories

## 14. 640 Aluminum Beam

All 640 rectangular aluminum beams measure 2 in. x 4 in. x length of beam order. For the skirted beams order the aluminum beam and the skirted beam kit. (See page 93 of this section)

13' (4m) Length	Rectangular	Round
SHIPPING WEIGHT	22 lbs	
PART NUMBER	428061+	NA
PRICE	\$458	

16' (4.9m) Length	Rectangular	Round
SHIPPING WEIGHT	28 lbs	
PART NUMBER	428062+	NA
PRICE	\$510	

20' (3m) Length	Rectangular	Round
SHIPPING WEIGHT	30 lbs	
PART NUMBER	428063+	NA
PRICE	\$602	

23' (7m) Length	Rectangular	Round
SHIPPING WEIGHT	36 lbs	
PART NUMBER	428064+	NA
PRICE	\$706	

## 15. 640 Wood Beam

All 640 wooden beams are made of clear redwood and measured 2 in. x 6 in. x length of beam ordered.

16' (4.9m) Length		
SHIPPING WEIGHT	22 lbs	
PART NUMBER	2410	
PRICE	\$342	

18' (2.5m) Length		
SHIPPING WEIGHT	26 lbs	
PART NUMBER	2418	
PRICE	\$353	

20' (3m) Length		
SHIPPING WEIGHT	32 lbs	
PART NUMBER	2043	
PRICE	\$367	

### FYI

Aluminum beams ordered with a barrier will be shipped with appropriate fixing bracket; wood beams ordered with a barrier will be shipped with sandwich plate. Beams ordered separately will be assumed to be replacement beams only & will not include fixing or sandwich hardware unless requested.

### FYI

Beams, because of their size, must be shipped by truck. Freight charges for shipping can be as much or more than the cost of the beam. Please request a freight quote from FAAC to determine total costs.

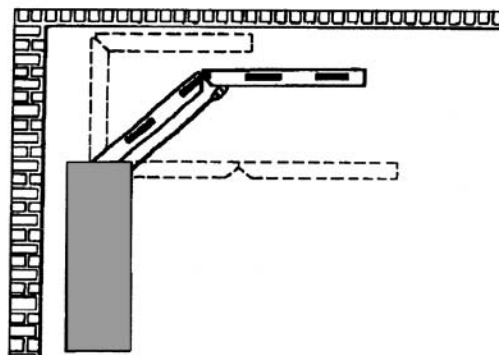
\* Measurements and weights stated in this Price List are approximate. For exact specifications, please refer to the Installation Manual or contact our technical department at 1-800-221-8278.

# Accessories | Barrier Gate Accessories

## 16. Articulated Beam Kits

Articulated beams are used in parking garages or other applications with low overhead clearances. In addition to ordering a rectangular aluminum beam for your Model 620 barrier, you need to order this kit. The kit will handle a maximum 9 ft ceiling height. FAAC will articulate the beam for you. Supply us, in writing, the distance between the base of the barrier cabinet and the ceiling. You can print this form and send us the information required.

SHIPPING WEIGHT	15 lb (6.8 kg)
PART NUMBER	428137
PRICE:	\$725



Articulated Beam

## 17. Skirted Beam Kits

A skirted beam keeps vehicles from passing under a barrier beam and consists of a rectangular aluminum beam (ordered separately) and one or more kits for skirting the beam. Each kit is a series of interlocking, jointed metal pieces forming a framework you attach to the bottom of the beam. When the beam raises, gravity causes the skirting to collapse against the vertical beam.

If you are retrofitting the skirt to an existing beam, call us about whether you need a different compression spring for your operator.

Order a combination of kits whose combined length is 1 foot shorter than the length of your rectangular aluminum beam:

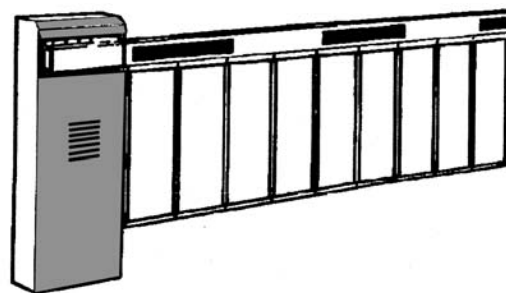
- . One kit contains mounting hardware and the metal skirt that is about 6 feet (more precisely, 2 meters) long. The kit will work with Models 620 and 640 barriers.
- . The other kit contains mounting hardware and the metal skirt that is about 10 feet (more precisely, 3 meters) long. The kit will work with Models 620 and 640 barriers.

### 6 Foot (2 m) Skirt Kit

SHIPPING WEIGHT	5 lb (2.3 kg)
PART NUMBER	4282431
PRICE:	\$445

### 10 Foot (3 m) Skirt Kit

SHIPPING WEIGHT	10 lb (4.5 kg)
PART NUMBER	4282441
PRICE:	\$637



Skirted Beam  
(comes assembled,  
ready to attach to beam)

\* Measurements and weights stated in this Price List are approximate. For exact specifications, please refer to the Installation Manual or contact our technical department at 1-800-221-8278.