

# FAAC-INFO

TECHNICAL SERVICES DEPT.

<b><u>Date:</u></b> June 16, 2004	<b><u>Vol. #</u></b> 005
<b><u>Subject:</u></b> 746/844	<b><u>Reason For Info:</u></b> Upgrades

## **Description:**

**As you may/or may not be already aware, the 746 and the 844 have been updated.**

**The top covers have been redesigned as well as the control panel.**

**The control panel is now a 780D.**

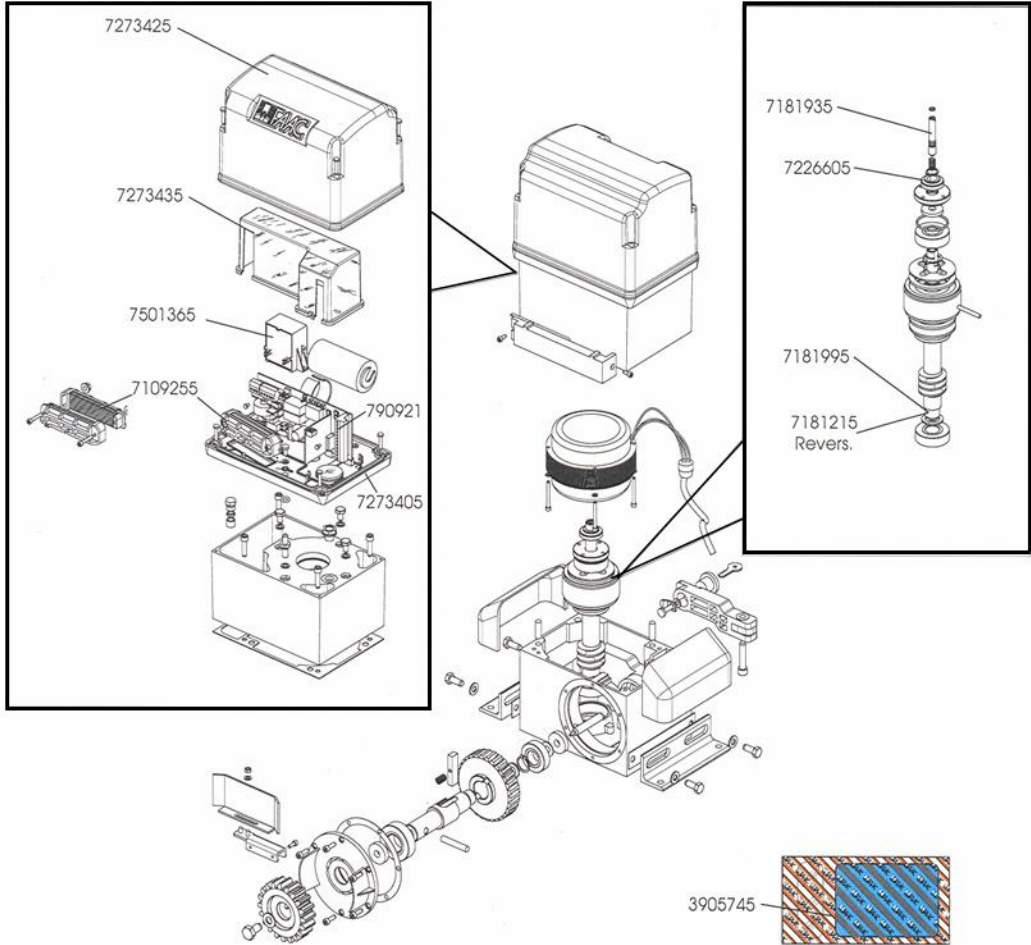
**The 780D is a fully programmable PCB.**

**See the attached drawing for further details.**

**Note:** Any part with no number pointing to it is still the old part number.



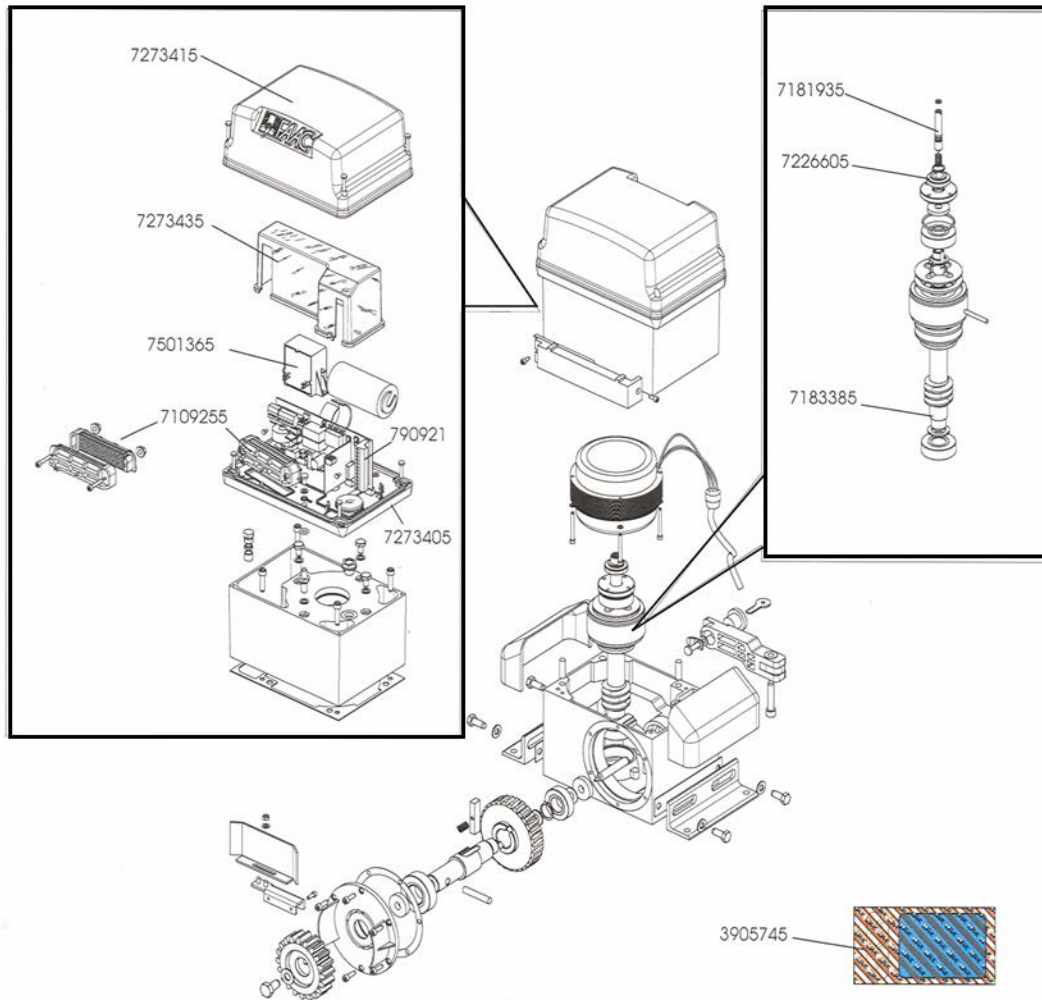
# FAAC 844



7273425	Top Cover (844)
7273435	Board Cover
7501365	Transformer
7109255	Cable Cover (746/844)
790921	780D Control Panel
7273405	Bottom Cover
7181935	Clutch Adjustment
7226605	Magnetic Disk (746/844)
7181995	Motor Shaft (844)
7181215	Motor Shaft (844 Reversing)
3905745	Skin Pack (746/844)

**Note:**  
all items with no specified part number, keep the part number of the version prior to restyling.

# FAAC 746 slide Gate Operator



7273415	Top Cover (746)
7273435	Board Cover
7501365	Transformer
7109255	Cable Cover
790921	780D Control Panel
7273405	Bottom Cover
7181935	Clutch Adjustment Screw
7226605	Magnetic Disk (746/844)
7183385	Motor Shaft (746)
3905745	Skin Pack (746/844)

**Note:**

all items with no specified part number, keep the part number of the version prior to restyling.