

FAAC-INFO

TECHNICAL SERVICES DEPT.

Date: June 3, 2004	Vol. # 004
Subject: 760 Motor/Pump Assembly and Load Bearing Box	Reason For Info: Upgrade

Description:

760 Motor/Pump Assembly

The 760 motor/pump assembly has been upgraded along with the load bearing box.

The motor/pump assemblies are now being manufactured with stainless steel bolts for the cylinders as well and the mounting bolts, securing the unit to the load bearing box. This upgrade will help keep the units looking newer longer and combat corrosion in poorly drained systems.

This Upgrade has started with units bearing the 01040000 serial number.

Load Bearing Box

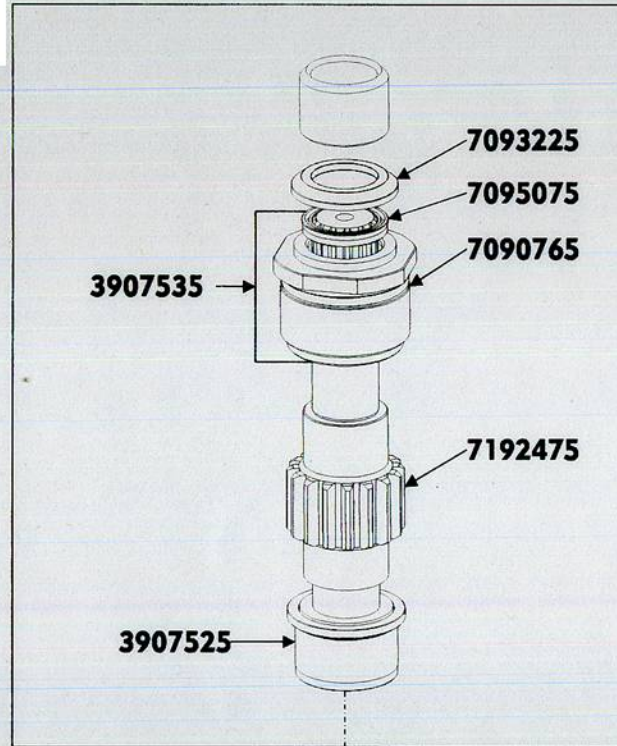
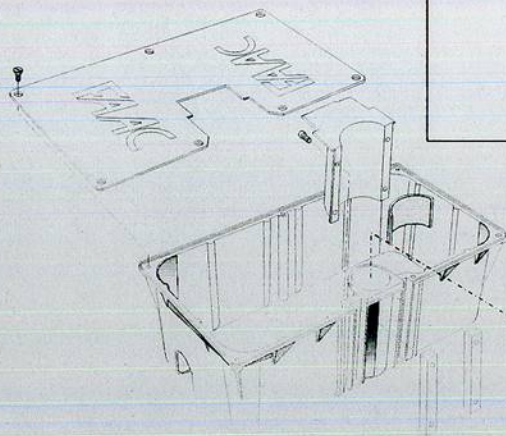
If you haven't already noticed the 760 load bearing box has changed. This change is in the bearing assembly. It is for better water protection. The bearings are now made from a hard plastic called UHMW. This state of the art ultra hard plastic that is currently used in farm equipment in Europe.

We are using this type of material as the bearings in the load bearing box to protect against water.

This change was made in the January 2004 units.

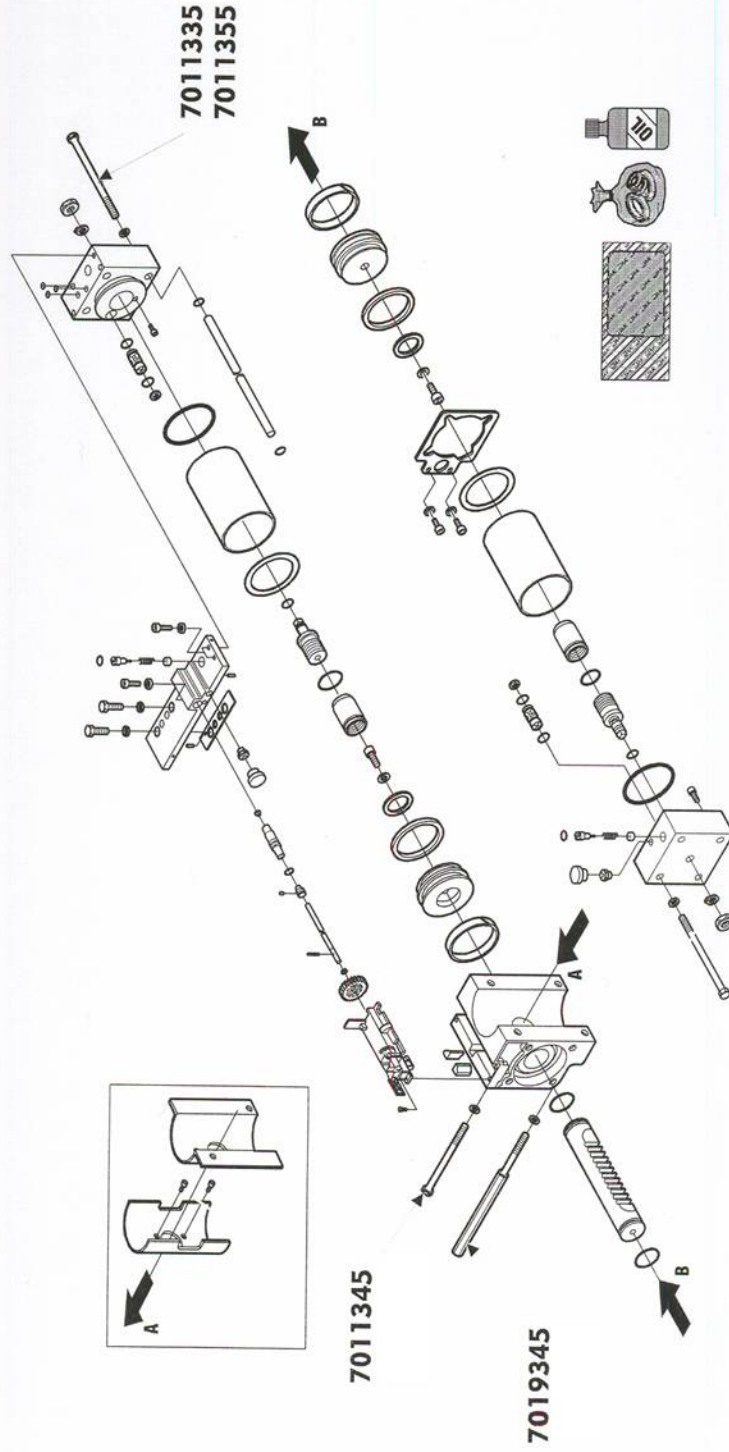


760 Load Bearing Box



3907525	Lower Bushing
3907535	Upper Bushing
7090765	O-Ring (50.39mm x 3.53mm)
7192475	Pinion
7093225	Top Seal
7095075	Gasket (30mm x 38mm x 57mm)

760 CBAC



- 7011335 8mm x 130mm Stainless Steel Bolt
- 7011345 8mm x 110mm Stainless Steel Bolt
- 7011355 10mm x 150mm Stainless Steel Bolt
- 7019345 760 Mounting Bolt (Bottom)